



## Ventilation grilles with adjustable blades

# STR



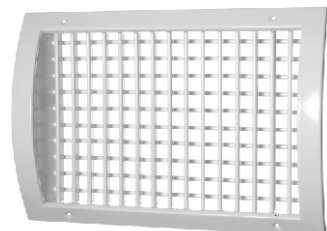
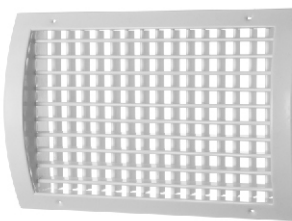
**STRS grilles** ▼  
with single row of vertical blades.  
Blades are adjusted individually.

STR type ventilation grilles are designed to use in low- and medium-pressure ventilation systems, equipped with circular ducts. A wide range of design options of grilles allows for the optimal directing of the supply air or using them as the air exhaust component.

◀ **STRW grilles**  
with single row of horizontal blades.  
Blades are adjusted individually.

**STRWS grilles** ▼  
with double row of blades.  
First row of the blades is horizontal.  
Blades are adjusted individually.

**STRSW grilles** ▼  
with double row of blades.  
First row of the blades is vertical.  
Blades are adjusted individually.



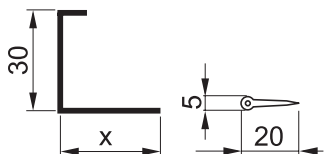
# Ventilation grilles STR



## Material and finish

The frame of a grille is made of steel. In the normal version of a device, blades are adjustable and made of aluminum or galvanized steel. Normal finishing includes powder-coating to RAL 9010. Coating to other RAL color is possible on request.

## Frame and blades construction



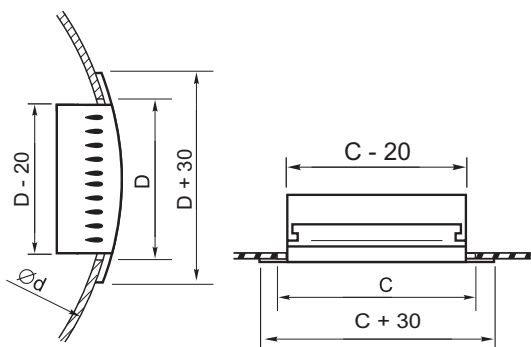
x- depending of the diameter of the duct

## Selection of the grille height "D" for the duct diameter $\varnothing d$

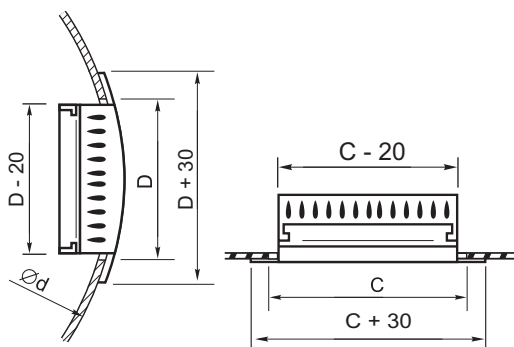
$\varnothing d$	Dmax
[mm]	[mm]
160	75
200	125
250	125
315	225
400	225
500	325
630	325
800	425

## Dimensions

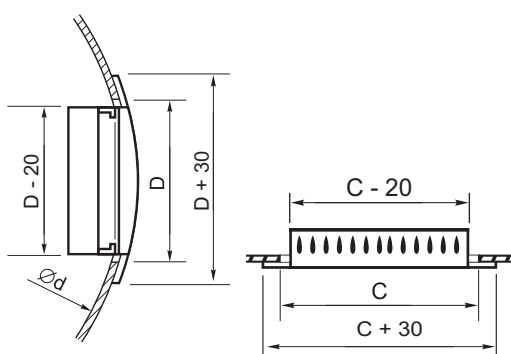
STRW



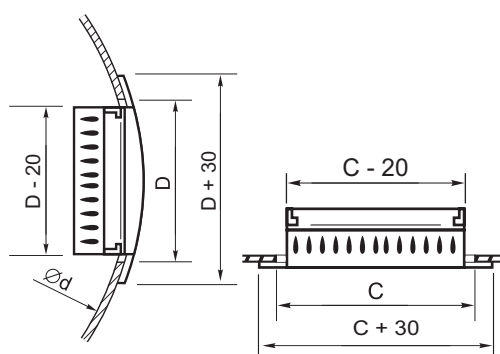
STRWS



STRS



STRSW



The grilles are equipped of brackets stiffening the blades when:

STRW:  $C > 625$

STRWS:  $C > 625$

## Grilles STR: weight, dimensions, effective areas



Normal dimensions of the grilles are shown below.

Other dimensions of the grilles are possible on request.

C	D	STRW	STRS	STRSW STRWS	STRW	STRS	STRSW STRWS
		A <sub>eff</sub>	A <sub>eff</sub>	A <sub>eff</sub>	weight	weight	weight
[mm]	[mm]	m <sup>2</sup>	m <sup>2</sup>	m <sup>2</sup>	kg	kg	kg
75	75	0,0029	0,0029	0,0022	0,2	0,2	0,3
125	75	0,0053	0,0055	0,0042	0,2	0,3	0,4
225	75	0,0101	0,0103	0,0078	0,4	0,4	0,6
325	75	0,0149	0,0152	0,0115	0,5	0,5	0,8
425	75	0,0197	0,0200	0,0152	0,6	0,6	1,1
525	75	0,0245	0,0249	0,0188	0,7	0,8	1,3
625	75	0,0293	0,0298	0,0225	0,8	0,9	1,5
825	75	0,0385	0,0395	0,0294	1,0	1,1	1,9
1025	75	0,0481	0,0492	0,0367	2,0	1,4	2,6
1225	75	0,0577	0,5890	0,0440	2,4	1,8	3,1
125	125	0,0100	0,0100	0,0078	0,3	0,3	0,6
225	125	0,0190	0,0188	0,0147	0,5	0,5	0,9
325	125	0,0280	0,0277	0,0215	0,7	0,7	1,2
425	125	0,0370	0,0365	0,0284	0,8	0,9	1,5
525	125	0,0460	0,0454	0,0353	1,0	1,0	1,8
625	125	0,0550	0,0543	0,0421	1,1	1,2	2,1
825	125	0,0722	0,0720	0,0551	1,4	1,5	2,9
1025	125	0,0902	0,0897	0,0688	2,5	2,0	3,3
1225	125	0,1082	0,1074	0,0825	3,0	2,3	3,9
225	225	0,0358	0,0358	0,0275	0,8	0,7	1,4
325	225	0,0528	0,0527	0,0404	1,0	1,0	1,9
425	225	0,0698	0,0695	0,0533	1,3	1,3	2,4
525	225	0,0868	0,0864	0,0661	1,6	1,5	3,1
625	225	0,1038	0,1033	0,0790	1,9	1,9	3,6
825	225	0,1364	0,1370	0,1033	2,4	2,4	4,6
1025	225	0,1704	0,1707	0,1290	3,6	3,0	4,7
1225	225	0,2044	0,2044	0,1547	4,2	3,5	5,6
325	325	0,0777	0,0777	0,0593	1,4	1,4	2,7
425	325	0,1027	0,1025	0,0781	1,9	1,8	3,5
525	325	0,1277	0,1274	0,0970	2,3	2,2	4,2
625	325	0,1527	0,1523	0,1158	2,6	2,5	4,9
825	325	0,2006	0,2020	0,1515	3,3	3,2	6,1
1025	325	0,2506	0,2517	0,1892	4,6	4,0	6,4
1225	325	0,3006	0,3014	0,2269	5,5	4,7	7,2
425	425	0,1355	0,1355	0,1030	2,4	2,2	4,4
525	425	0,1685	0,1684	0,1278	2,8	2,7	5,3
625	425	0,2015	0,2013	0,1527	3,3	3,1	6,2
825	425	0,2648	0,2670	0,1997	4,2	4,0	7,5
1025	425	0,3308	0,3327	0,2494	5,7	4,9	8,2
1225	425	0,3968	0,3984	0,2991	6,7	5,9	8,9

Where:

C- width of the installation opening in [mm]

D- height of the installation opening in [mm]

A<sub>eff</sub>- effective area in m<sup>2</sup>

Weight - weight of the grille in [kg]

## Selection of STR



Nomographs showing the hydraulic and acoustic characteristics of the grilles are presented in "acoustic characteristics of the grilles" data sheet.

## Accessories and order code

While ordering please provide information according to the following method:

**<GRILLE TYPE> - <C>x<D> - <S> - SL <RAL> / <ADD>**

Where:

**<GRILLE TYPE>** - STRW, STRWS, STRS or STRSW

**<C>** width of the installation opening in [mm]

**<D>** height of the installation opening in [mm]

**<S>** diameter of the ventilation duct in [mm]

**SL** finish - coated steel

**<RAL>** RAL color

**<ADD>** Please specify additional accessories here according to the list below:

Accessories\*\*

**<GA>** Opposed blade damper made of aluminum

**<GS>** Parallel blade damper made of galvanized steel

**<GC>** Diagonal damper

**<GM>** damper with arc-shaped blades

**<GT>** slotted damper

**<L01>** Sieve deflector with 38% free area of the cross-section

**<L02>** Sieve deflector with 58% free area of the cross-section

\* optional values, when they are not given, the default values shall apply

\*\* more information about accessories on page with accessories

Order example:

**STRW - 525x225 - 315 - SL9010 / GM**